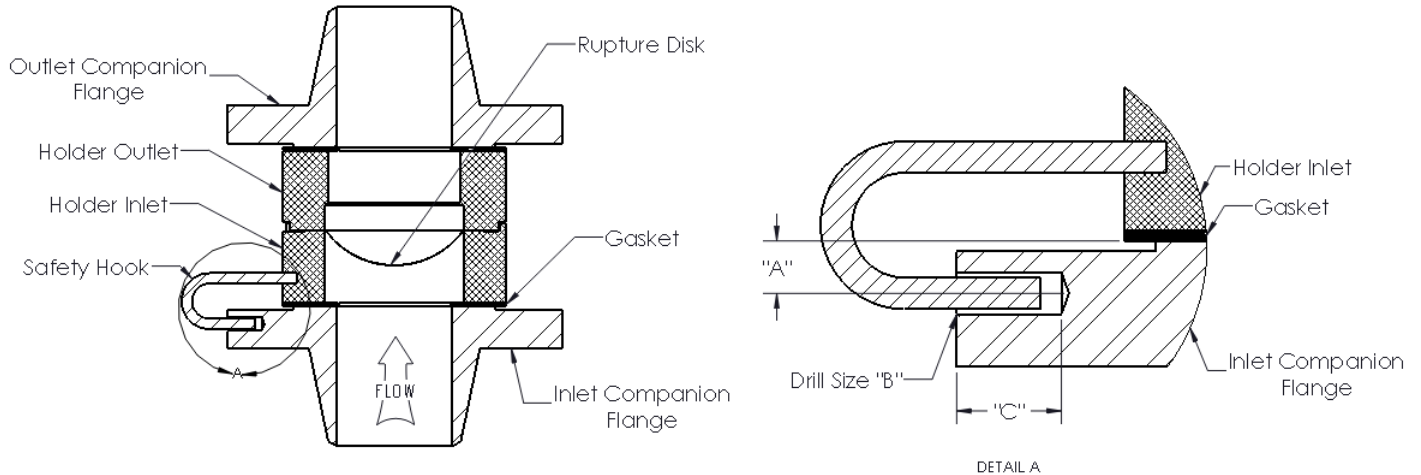


PURPOSE



Use the following steps to ensure proper hole placement:

1. Position holder into flange ensuring the safety hook and tag will not interfere with any flange studs.
2. Keep note of safety hook placement between flange stud holes.
3. Drill safety hook hole according to the following dimensions:

HOLE FOR SAFETY HOOK				
Holder Size	A		B	C
	ANSI 150/300	ANSI 600/900/1500/2500		
1" – 3"	5/16"	1/2"	1/4"	5/8"
4" – 8"	7/16"	19/32"	5/16"	5/8"
10" – 12"	11/16"	15/16"	7/16"	5/8"

Note: Dimension "A" is from raised face of companion flange to center line of drilled hole. Assumed gasket thickness of 1/16". Before drilling safety hook hole in companion flange, ensure that a minimum 1/8" wall thickness will remain between safety hook hole and flange face.

WARNING

NEVER bend a safety hook! The hook (undamaged) will ensure correct orientation of the holder in the system. It is designed to prevent installation if there is no hole in the side of the inlet companion flange. If, instead of drilling the required hole, the installer simply bends the hook out of the way, the holder could be installed "upside down".

www.zookdisk.com

Serving America, Central & South America
16809 Park Circle Drive, Chagrin Falls,
Ohio 44022 USA
Toll Free: +1 800 543 1043
Phone: +1 440 543 1010
E-mail: sales@zookdisk.com

Serving Europe, Middle East & Africa
Navigation House, Bridge Street
Killamarsh, Sheffield,
S21 1AL UK
Phone: +44 (0) 1909 560999
E-mail: sales.europe@zookdisk.com

Serving Canada
4400 South Service Rd,
Burlington, Ontario L7L 5R8 CA
Toll Free: +1 800 370 6057
Phone: +1 905 681 2885
E-mail: sales.canada@zookdisk.com

Serving Asia Pacific
Unit No.23A-05, Menara Landmark, No.12,
Jalan Ngee Heng
80000 Johor Bahru, Johor, Malaysia
Phone: +60 (7) 2910099
E-mail: sales.asia@zookdisk.com